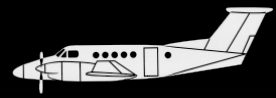




Aft Jump Seats







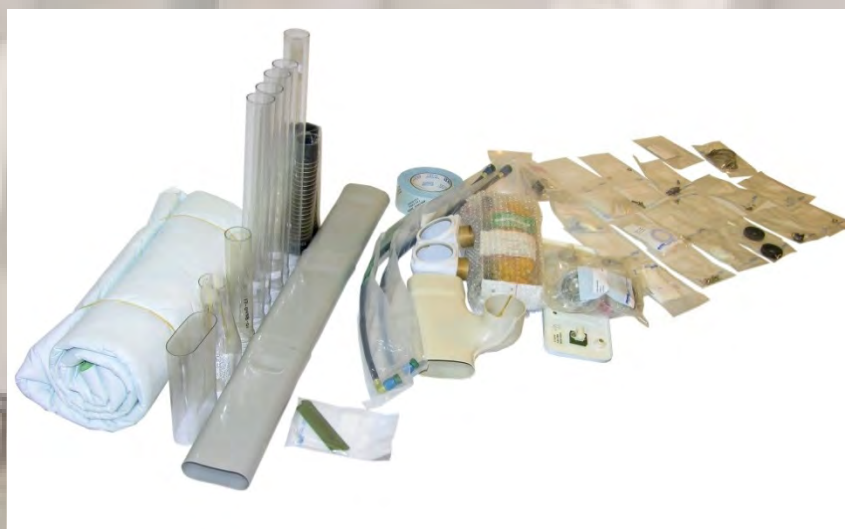
Aft Jump Seats

- Part Number:** 32-0210K-1 100 and 200 Series dual seat kit
32-0210K-8 300 and 350 Series dual seat kit
- Applicable Aircraft:** 100, A100, B100 series, 200, A200, B200 series including B200GT and B200CGT series, 300, 300LW, B300, B300C (350) series.
- Features:** Seats fold down from side-wall of aircraft in aft baggage compartment. Kit includes everything to make the installation except upholstery and painting the frames, including the seats, complete restraint system, floor board if needed, all fittings, brackets, hardware, life vests overhead lights, vents, oxygen drop down, comprehensive installation instructions and STC.
- Options:** Single seats, either left side or right side are available. Optional upholstery is available on request.
- Details:** Seats are interchangeable with OEM jump seat and can utilize the existing OEM installation hardware if the aircraft is so equipped.
- Installation:** Normally 70 to 80 hours depending on the experience of the technician.
- Approval Type:** STC & PMA, eliminating the need for field approval.
- STC Numbers:**
- | | |
|------------|---|
| U.S. FAA | SA00635WI |
| Argentina: | CTS 1609.26 (A) |
| Brazil: | 2005S12-02 |
| Canada: | C-14-0155 |
| China: | VSTC0745 B300 (350), B300C (350C) only |
| EASA: | 10042580 |
| India: | 07-11/07-RD (Part I) Vol II B200GT only |
| Indonesia: | A024, rev. 4. note 18. B300 & B300C only |
| Mexico: | IA-245/2014 |
| Russia: | CT80-300, Section IV, item 12, note 6. B300 & B300C (350), serial number FL-383 & subsequent, FM-12 & subsequent. |
- Lead time:** Kits are normally in stock and available for immediate world-wide shipment. However, fluctuations in demand may cause up to a 30 day delivery time.

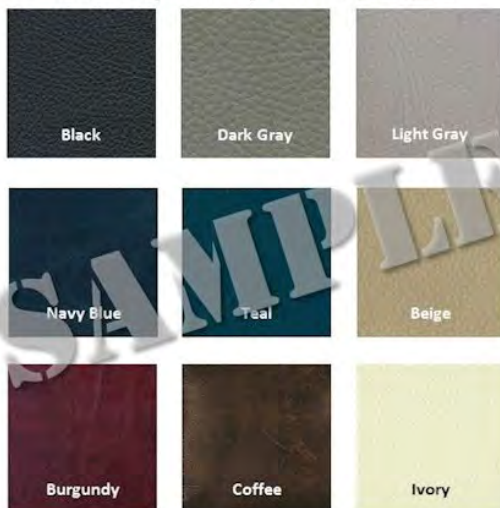


**Aft Jump Seat
Installation
Kit (typical)**

**Oxygen,
Air Vent,
& Light Kit
(typical)**

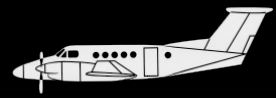


Here are some of the many
Leather Upholstery colors available...



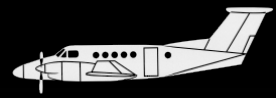
...more colors available upon request!

**Aft Jump Seat
Leather Upholstery
Options**



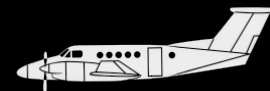
Single Left & Right Aft Jump Seats



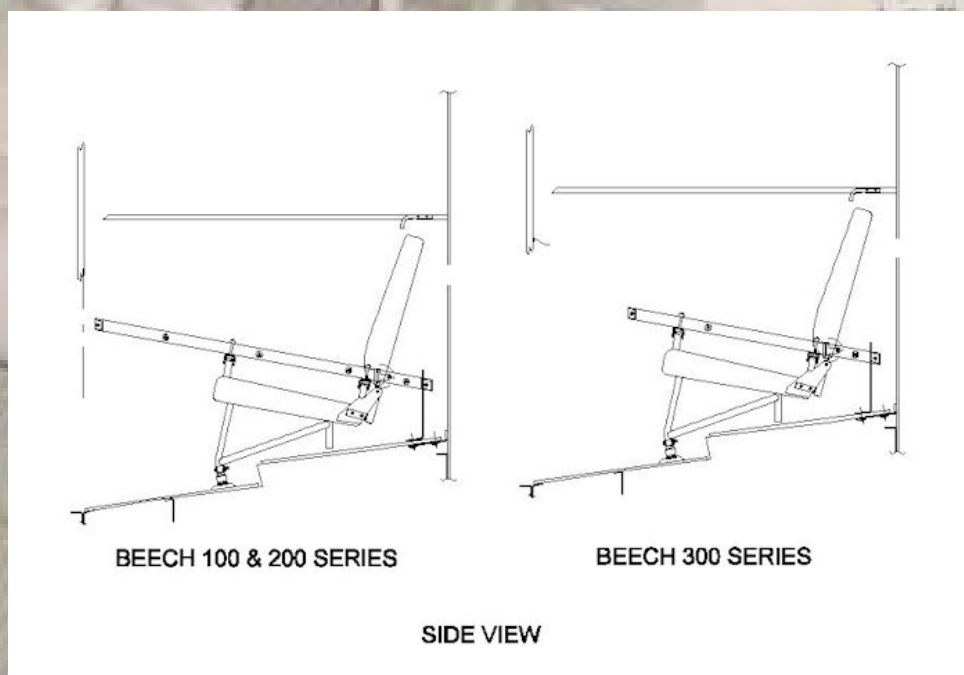
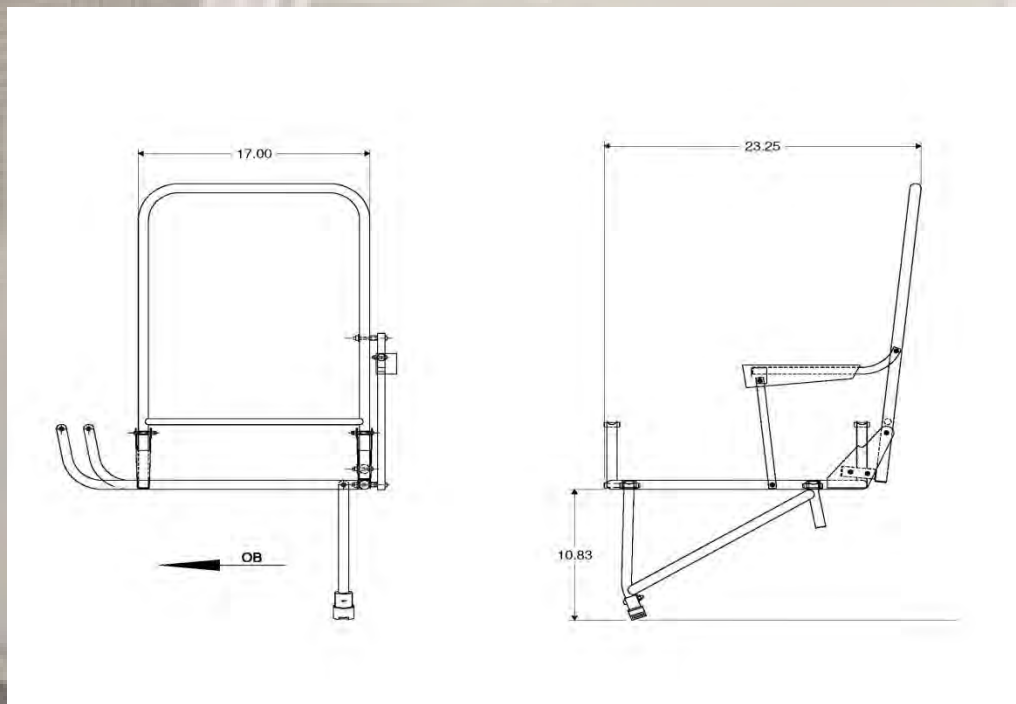


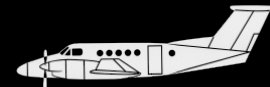
Installed Aft Jump Seats





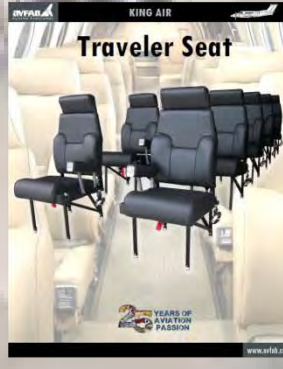
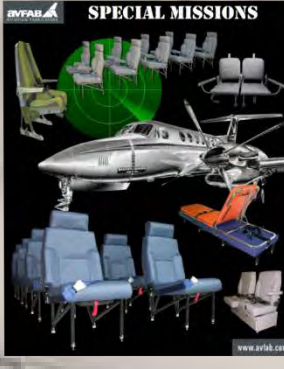
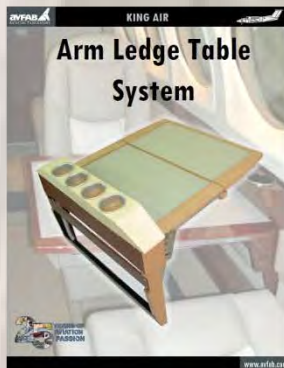
Aft Jump Seat Line Drawings





Learn more about Avfab's comprehensive line of King Air products & services at:

www.AvFab.com



Aviation Fabricators
805 North 4th Street
Clinton, MO 64735
(660) 885-8317
www.AvFab.com